

ASSEMBLY INSTRUCTIONS

WALL END OPEN CABINET

Part	Descriptions	Qty	Part	Description	Qty	Part	Description	Qty
A	Side Panel	1	C	Shelf	2	E	Side Panel	1
B	Top And Bottom	2	D	Screw $\phi 3.5 \times 30$	15/18			

This instructions applies to the following items: **SQTB-WEOS0630L/R~SQTB-WEOS0642L/R.**

STEP 1: Slide-in the Sides to the Frame.

STEP 2: Slide-in the Top and Bottom.

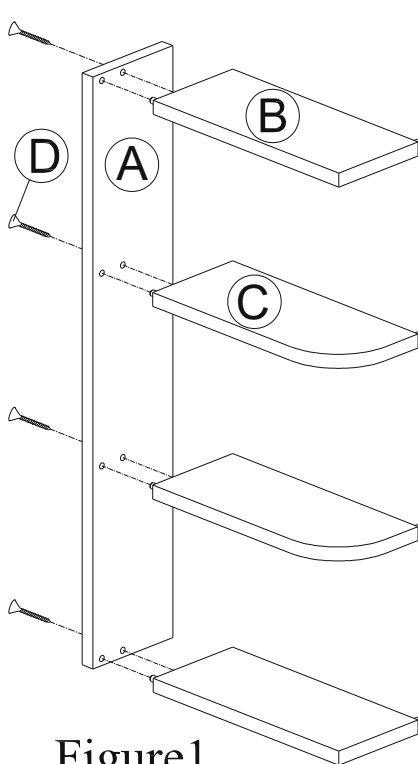


Figure1

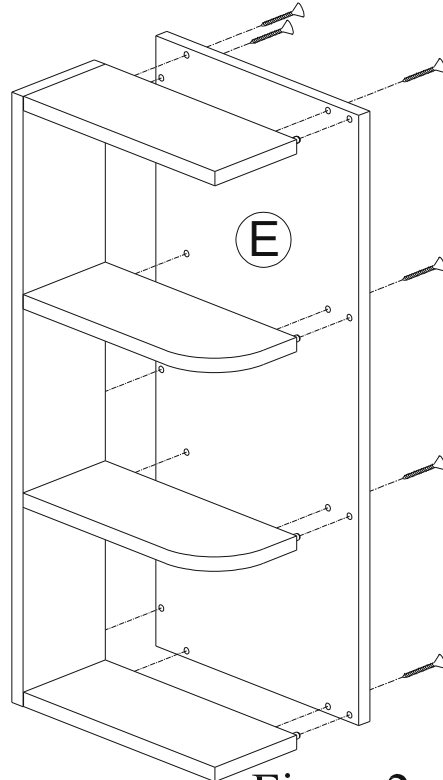


Figure2

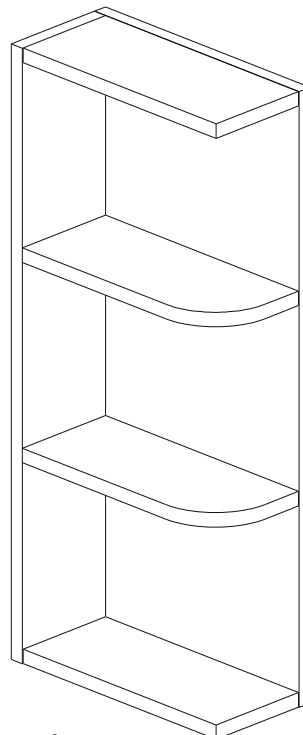


Figure3